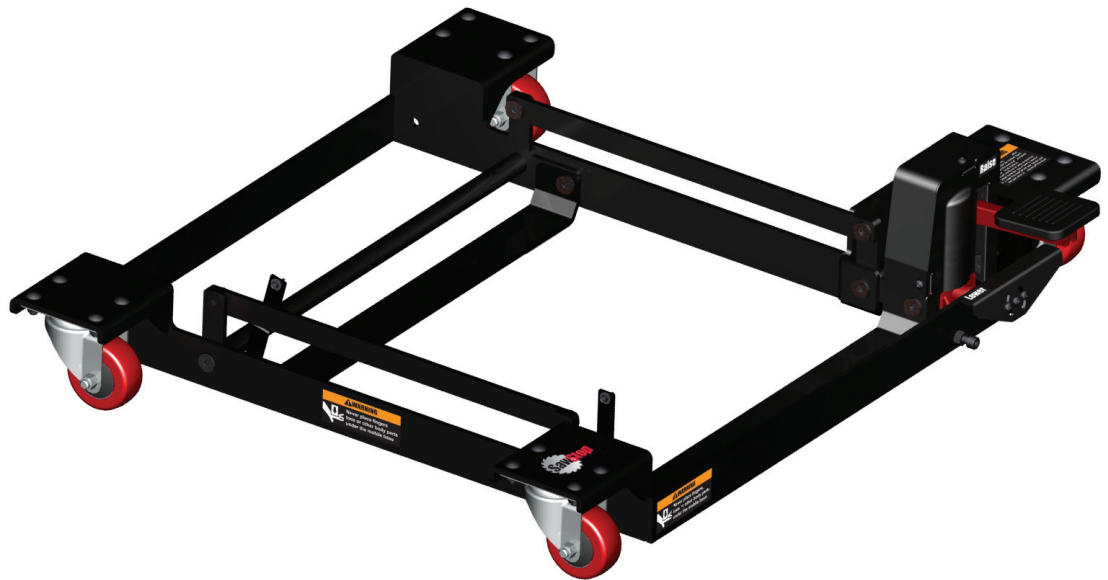


# ***SawStop***<sup>®</sup>

## **Mobile Base Conversion Kit** For use with the Professional Cabinet Saw

### **ASSEMBLY INSTRUCTIONS**



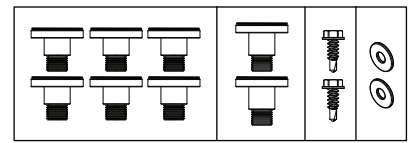
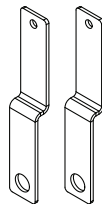
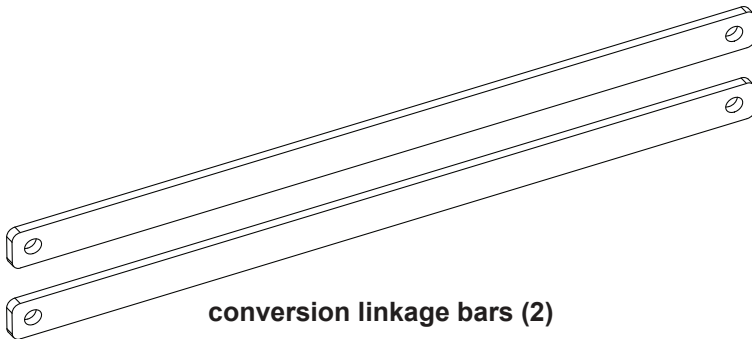
Model MB-IND-500

# Safety

1. Never place fingers, toes or other body parts under the mobile base. The base may suddenly lower on you and cause a severe injury.
2. Do not attempt to use or move the saw on an inclined surface. The saw is very heavy and difficult to stop on an inclined surface. Attempting to use or move the saw on an inclined surface could result in a severe injury.
3. Make sure the saw is fully lowered to the ground and stable before operating the saw. Otherwise, the saw could move unexpectedly and cause a severe injury.
4. Do not raise the saw higher than necessary to move it. Instead, raise the saw only enough to provide sufficient ground clearance.
5. Be sure to unplug or disconnect the saw from power before moving or repositioning it. The main power cord or the power outlet could be damaged if the saw is not disconnected from power before moving it.

# Unpacking Your Conversion Kit

While unpacking your mobile base conversion kit verify that all the components shown on this page are included.



hardware bag



assembly instructions

# Assembling Your Mobile Base

The SawStop Industrial Mobile Base is designed to fit the SawStop Industrial Cabinet Saw; however this mobile base conversion kit allows the Industrial Mobile Base to be used with the SawStop Professional Cabinet Saw. In order to convert the mobile base for use with the SawStop Professional Cabinet Saw, first locate all of the conversion kit components shown on page 1. All of the hardware needed to convert the mobile base is located in the hardware bag. If you are missing the hardware bag or any of the other components, call the SawStop Service Department at 503-582-9934 for replacements.

1. Remove the original linkage bar on the left side of the mobile base by unscrewing the two M8 shoulder screws with a 5 mm hex key (see Fig. 1). The shoulder screws may be difficult to remove because they were installed with a thread adhesive. The original linkage bar and the two M8 shoulder screws may be discarded.

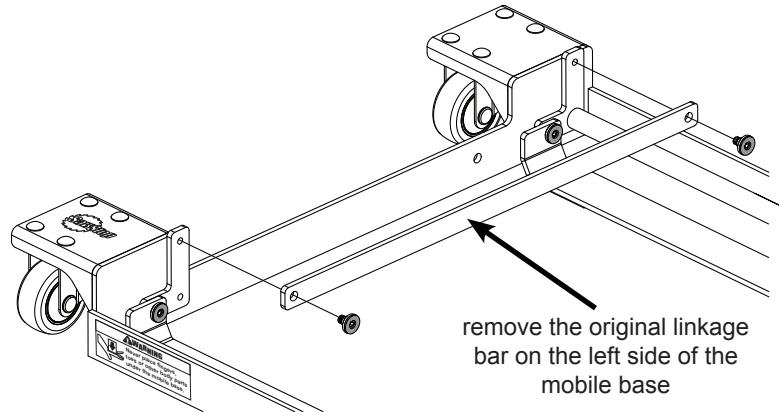


Fig. 1

2. Repeat the previous step to remove the original linkage bar on the right side of the mobile base (see Fig. 2).

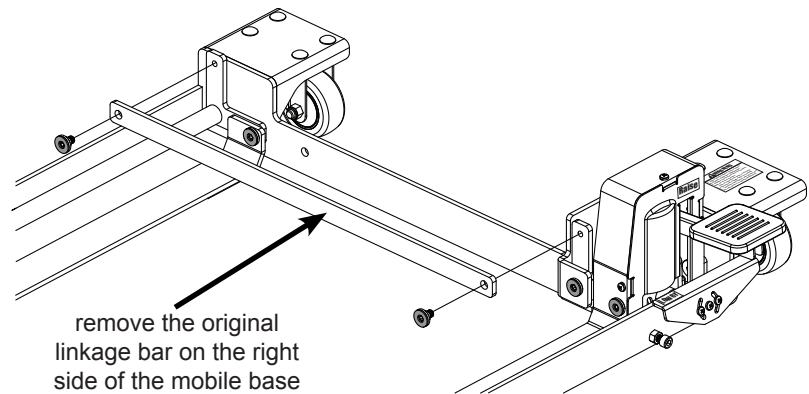


Fig. 2

3. You must now move the rear support strap forward to accommodate the smaller cabinet of the Professional Cabinet Saw. Begin by removing the two M8 shoulder screws that mount the rear support assembly to the mobile base frame with a 5 mm hex key, as shown in Fig. 3. The rear support assembly will be used in the following step, but you may discard the two M8 shoulder screws.

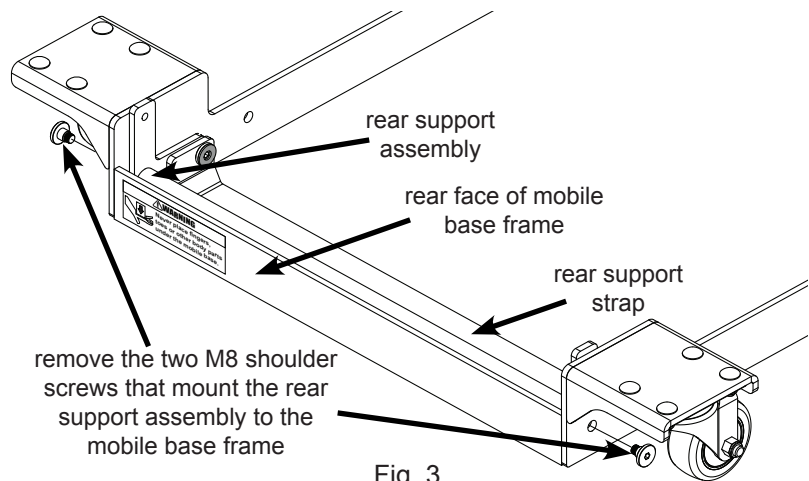


Fig. 3

# Assembling Your Mobile Base

- Take the rear support assembly and move it forward until the two mounting holes align with the next set of holes in the mobile base frame, as shown in Fig. 4. Mount the rear support assembly to the mobile base frame with two new M8 x 15.7 shoulder socket screws from the hardware bag. Fully tighten the two M8 x 15.7 shoulder socket screws with a 5 mm hex key.

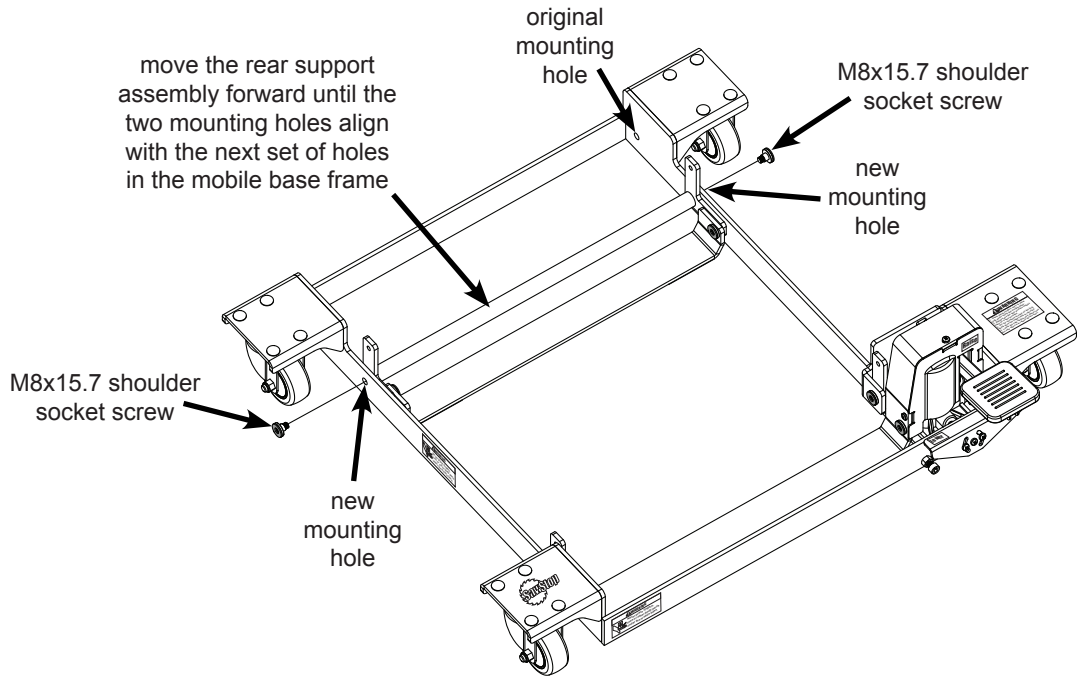


Fig. 4

- Locate the two conversion linkage bars and the remaining four M8 x 15.7 shoulder socket screws. Use two of the M8 x 15.7 shoulder screws to install one of the conversion linkage bars on the left side of the mobile base (see Fig. 5a). The screws pass through the clearance holes in the conversion linkage bar and thread into the corresponding holes in the rear support assembly and the front bell link. Use the remaining two M8 x 15.7 shoulder socket screws to install the other conversion linkage bar on the right side of the mobile base (see Fig. 5b). Fully tighten all four screws using a 5 mm hex key.

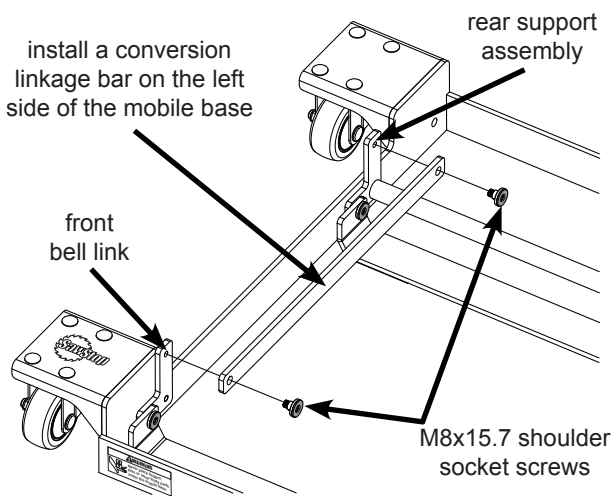


Fig. 5a

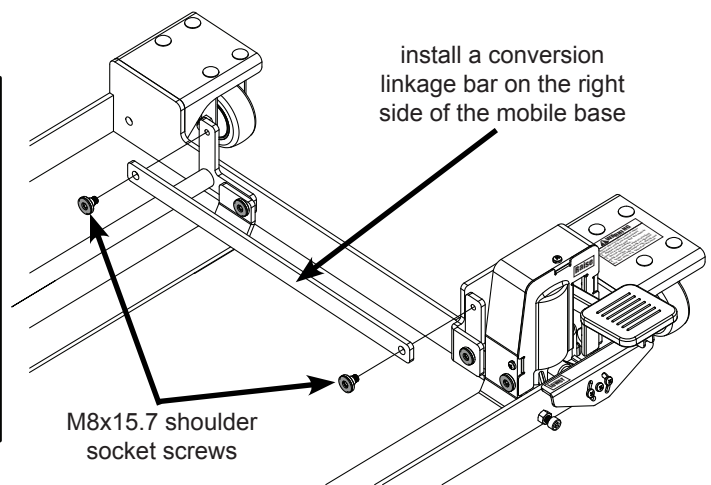


Fig. 5b

# Assembling Your Mobile Base

6. The conversion kit includes hold-down brackets to hold the saw in the mobile base and you must now attach the hold-down brackets to the mobile base. Begin by removing the two M8 shoulder screws that mount the left side of the front and rear support straps to the frame with a 5 mm hex key, as shown in Fig. 6. The shoulder screws may be difficult to remove because they were installed with a thread adhesive. The two M8 shoulder screws may be discarded.

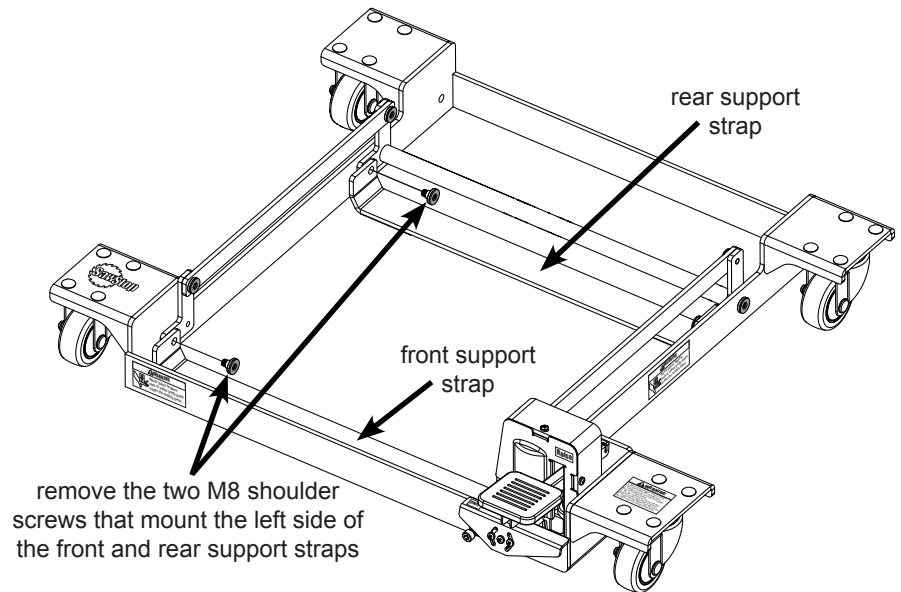


Fig. 6

7. Locate the two hold-down brackets and the two M8 x 18 shoulder socket screws. Use one of the M8 x 18 shoulder socket screws to install one of the hold-down brackets to the inside of the rear support strap (see Fig. 7a). Note that the shoulder screw can only pass through the larger hole in the hold-down bracket and the hold-down bracket must be oriented so that it bends inward toward the center of the mobile base (see Fig. 7a). Use the remaining M8 x 18 shoulder socket screw to install the other hold-down bracket to the inside of the front support strap (see Fig. 7b). Fully tighten both screws using a 5 mm hex key.

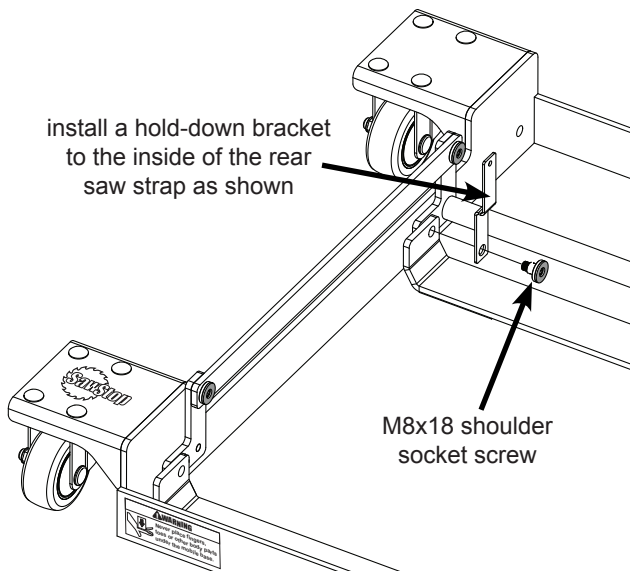


Fig. 7a

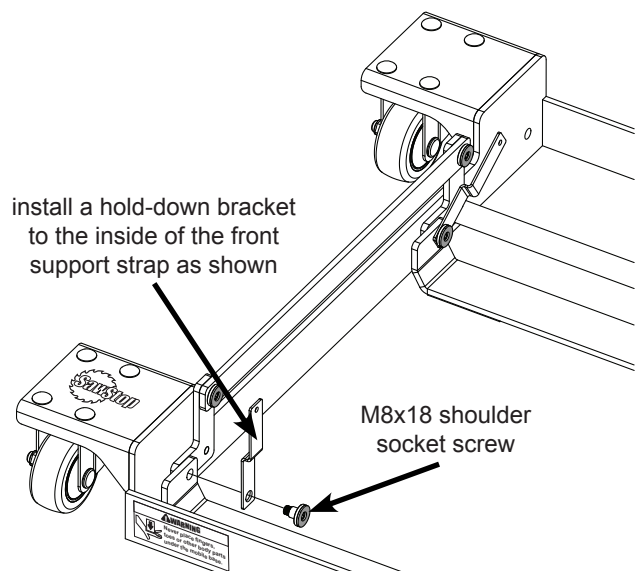


Fig. 7b

# Assembling Your Mobile Base

8. The mobile base is now ready for your Professional Cabinet Saw, but before placing the saw on the mobile base, it is important to rotate the rear hold-down bracket back as far as possible and to rotate the front hold-down bracket forward as far as possible (see Fig. 8). To safely place the saw into the mobile base, you will need at least four people to lift the saw off the floor and then lower it onto the mobile base. Have one person lift each corner of the cast iron table top. If your saw has an extension table, have the two people on the right side of the saw lift on the extension rails near the outer corner of the cast iron extension wing, not at the end of the extension table. If a fifth person is available, it may be easier to have four people lift the saw and the fifth person slide the base under the saw.

Make sure the mobile base is centered underneath the table saw and that the foot pedal is in the front. The saw should sit on the front and rear support straps extending across the interior of the mobile base, and the front of the cabinet should be touching the inside of the front face of the mobile base frame (see Fig. 8).

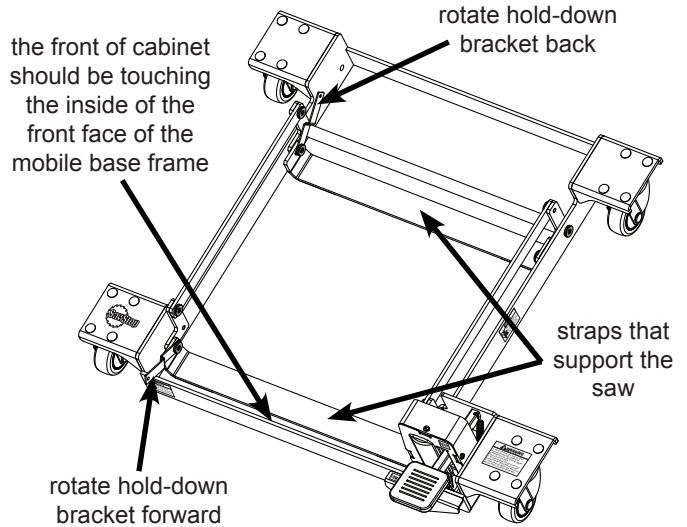


Fig. 8

9. Locate the two self-tapping screws and the two M4.3 x 12 washers. Rotate the rear hold-down bracket until the top hole is over the flat face of the cabinet. Place one of the M4.3 x 12 washers over the end of one of the self-tapping screws and use a drill with a 1/4 inch hex drive bit to mount the rear hold-down bracket to the cabinet, as shown in Fig. 9a. There is no need to pre-drill a hole for the self-tapping screws, but be careful not to overtighten the screws or the threads in the cabinet may strip out. Now, rotate the front hold-down bracket until it is vertical and repeat the same procedure to mount it to the cabinet, as shown in Fig. 9b.

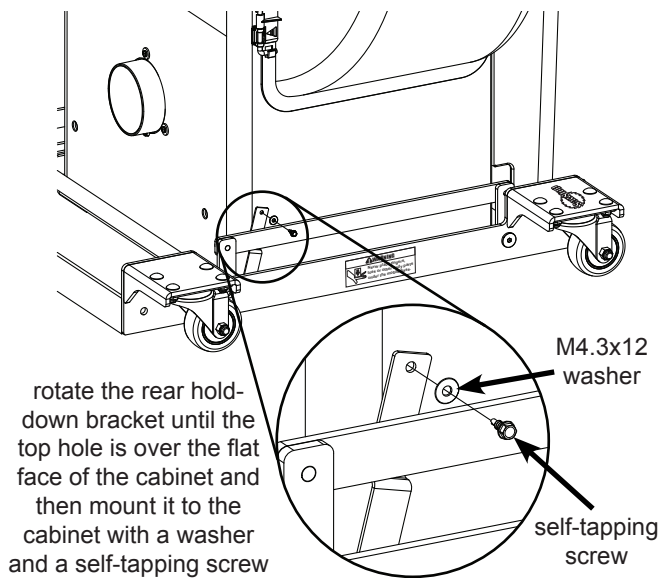


Fig. 9a

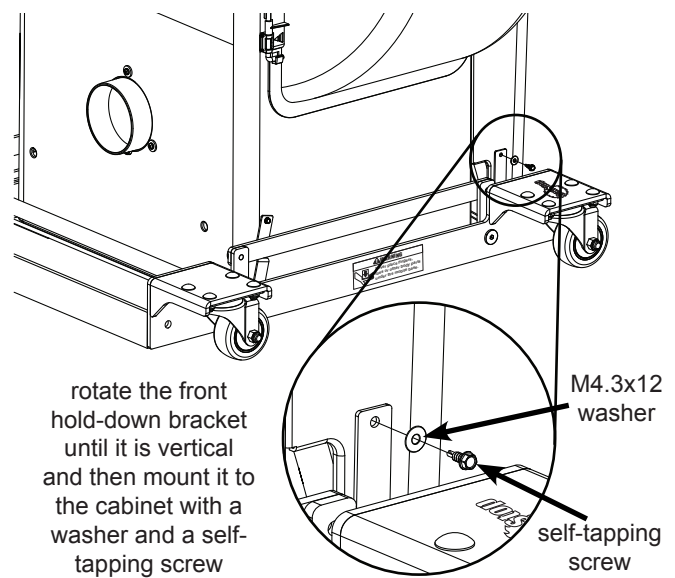
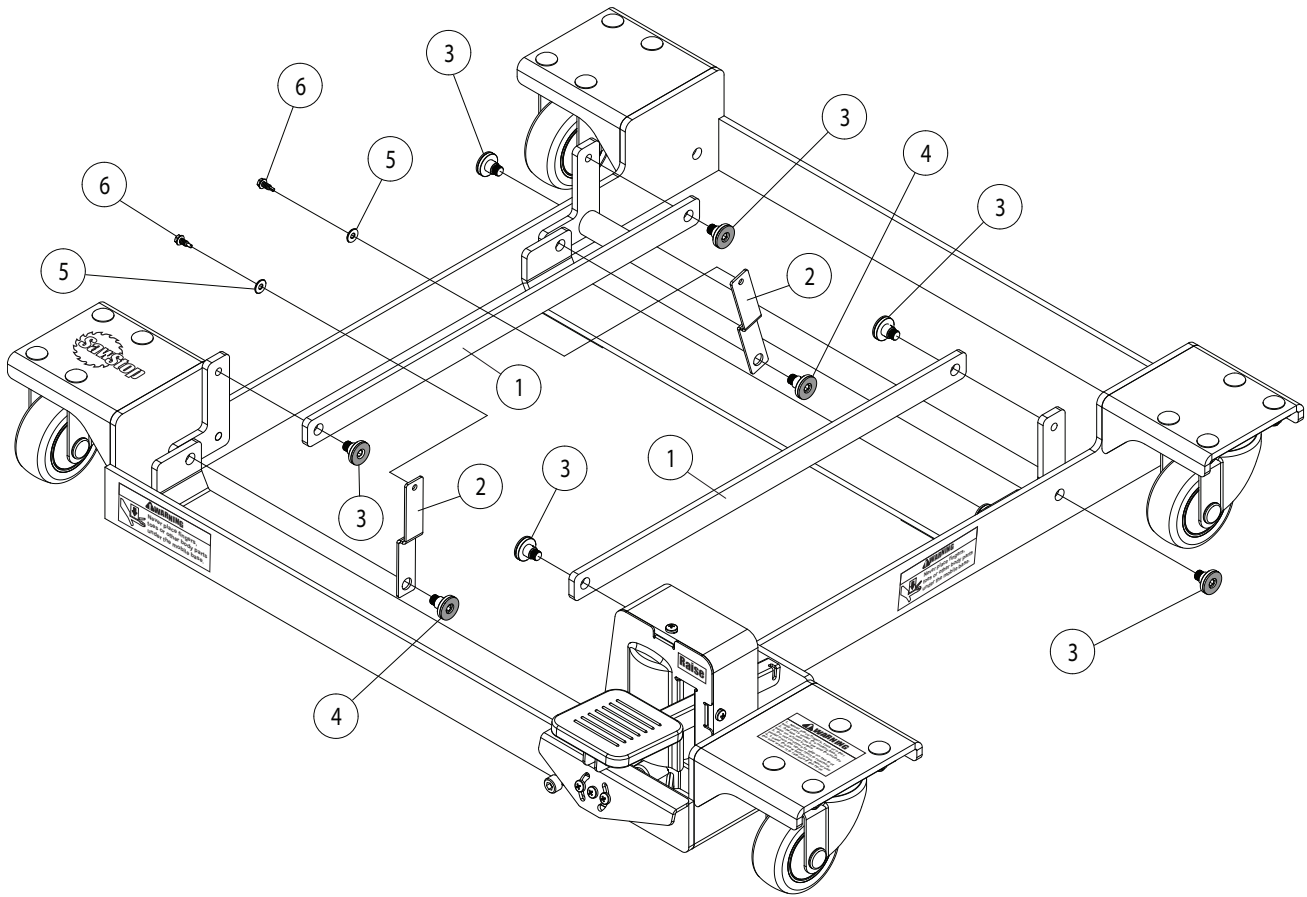


Fig. 9b

**Congratulations**, the assembly is now complete. Please see the Industrial Mobile Base Owner's Manual for instructions on how to use and adjust the mobile base and for information on hydraulic jack maintenance.

# **Mobile Base Conversion Kit Exploded View**



## **Mobile Base Conversion Kit Parts List**

No.	Description	Part No.	Qty.
	Complete Mobile Base Conversion Kit	MB-IND-500	1
1	Conversion Linkage Bar	MB-IND-501	2
2	Hold-Down Bracket	MB-IND-502	2
3	M8x15.7 Shoulder Socket Screw (with Felt Adhesive Pad)	MB-IND-503	6
4	M8x18 Shoulder Socket Screw (with Felt Adhesive Pad)	MB-IND-504	2
5	M4.3x12 Washer	MB-IND-505	2
6	Self-Tapping Screw	MB-IND-506	2
N/A	Hardware Bag	MB-IND-507	1
N/A	Assembly Instructions	MB-IND-508	1

SawStop, LLC  
9564 S.W. Tualatin Road  
Tualatin, Oregon 97062  
[www.sawstop.com](http://www.sawstop.com)

Main Phone - (503) 570-3200  
Service - (503) 582-9934  
Fax - (503) 570-3303  
Email: [info@sawstop.com](mailto:info@sawstop.com)

Updates of this manual may be available at [www.sawstop.com](http://www.sawstop.com).

Copyright SawStop, LLC  
All Rights Reserved.

February 2009