



# SERVICE PARTS LIST

**BULLETIN NO.**  
**54-40-0451**

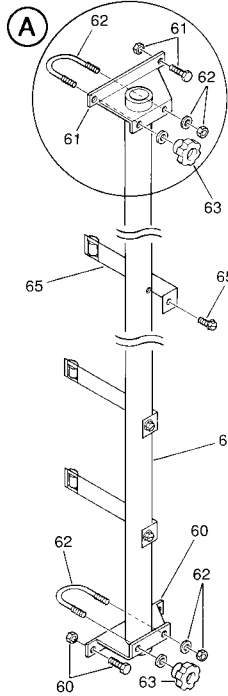
SPECIFY CATALOG NO. AND SERIAL NO. WHEN ORDERING PARTS		REVISED BULLETIN	DATE
<b>PANEL SAW ACCESSORIES</b>			Mar. 2002
CATALOG NO.	SERIAL NUMBER	WIRING INSTRUCTION	

**EXAMPLE:**  
Component Parts ( Small #) Are Included  
When Ordering The Assembly (Large #).



**(A) HOLD DOWN BAR KIT** *NO. 49-22-8100*

FIG.	PART NO.	DESCRIPTION OF PART	NO. REQ.
60	42-36-1720	Bottom Support Bracket w/ Hardware	1
61	42-36-1730	Top Support Bracket w/ Hardware	1
62	42-32-0260	"U" Bolt w/ Hardware	2
63	43-98-0400	Tension Knob	2
64	42-18-0280	Cut-Off Bar	1
65	42-09-0120	Pressure Arm w/ Hardware	4
66	14-03-0140	Hardware Kit	1

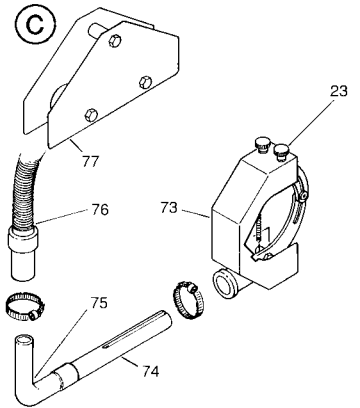


**(B) QUICK STOP KIT** *NO. 49-22-8102*

FIG.	PART NO.	DESCRIPTION OF PART	NO. REQ.
67	45-24-0080	Quick Stop Angle	1
68	43-82-0110	Quick Stop Ruler	1
69	42-28-0310	Quick Stop Block	1
70	43-98-0410	Quick Stop Clamp Knob	1
71	42-36-1740	Mounting Bracket	2
72	14-03-0145	Hardware Kit	1

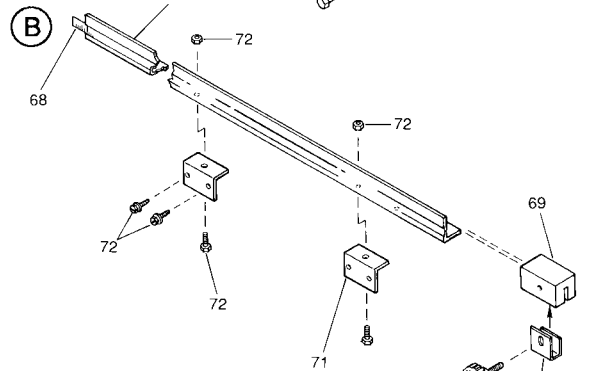
**(C) DUST COLLECTION KIT** *NO. 49-22-8105*

FIG.	PART NO.	DESCRIPTION OF PART	NO. REQ.
23	43-98-0370	Torque Knob	3
73	43-54-0745	Blade Guard w/Dust Chute	1
74	45-76-0370	Dust Tube	1
75	45-76-0380	90° Steel Elbow	1
76	43-75-0030	Vinyl Hose	1
77	44-96-0150	Roller Assembly	1



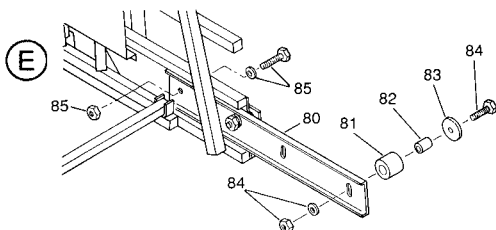
**(D) WHEEL KIT** *NO. 49-22-8106*

FIG.	PART NO.	DESCRIPTION OF PART	NO. REQ.
78	45-94-0360	Replacement Wheel	2
79	14-03-0150	Wheel Hardware Kit	1



**(E) EXTENSION KIT** *NO. 49-22-8108*

FIG.	PART NO.	DESCRIPTION OF PART	NO. REQ.
80	43-24-0130	Extension Channel	1
81	44-96-0140	Extension Roller	1
82	45-36-1490	Extension Bearing Spacer	1
83	45-88-8400	Extension Washer	1
84	06-08-0040	3/8"-16 x 2-3/4" Lg. Bolt w/Nut	1
85	14-03-0155	Extension Hardware Mounting Kit	1



**(F) MIDWAY FENCE KIT** *NO. 49-22-8110*

FIG.	PART NO.	DESCRIPTION OF PART	NO. REQ.
86	42-36-1710	Rear Support Bracket	4
87	45-60-0540	Material Support Bracket	2
88	42-28-0300	Stop Block	1
89	43-98-0390	Stop Block Clamp Knob	1
90	43-82-0100	Ruler	2
91	43-24-0120	Aluminum Extrusion	2
92	43-30-0080	Wooden Fence	2
93	42-50-0250	Support Cam w/ Nut and Washer	2
94	14-03-0160	Hardware Kit	1

