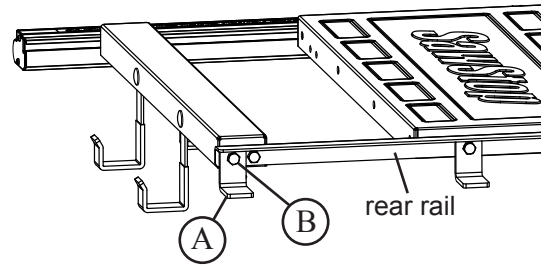
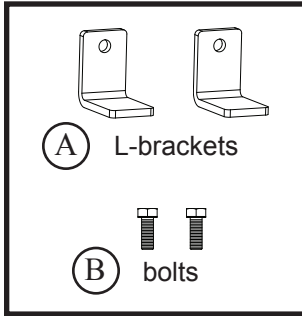
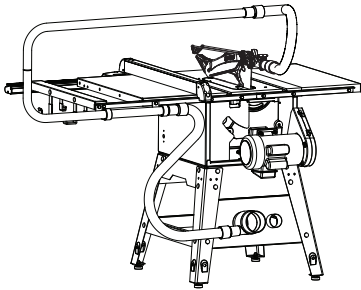




Over-Arm Dust Collection Installation Guide

For SawStop Contractor saws with a Standard Fence Assembly

BEGIN HERE →



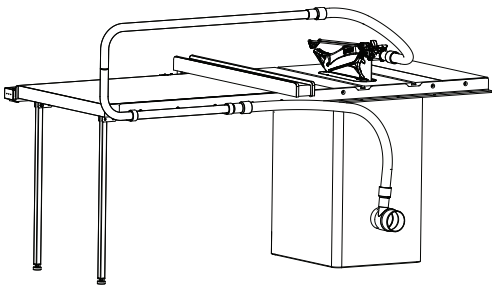
Install brackets A by replacing the bolts on the rear rail of the contractor saw with bolts B in the locations shown above. Reinstall the lock washer and nut on the end of each bolt. Continue with steps 1-6 below. ↴

Tools:

Two 13 mm wrenches

For all SawStop cabinet saws and for Contractor saws with T-Glide Fence Systems

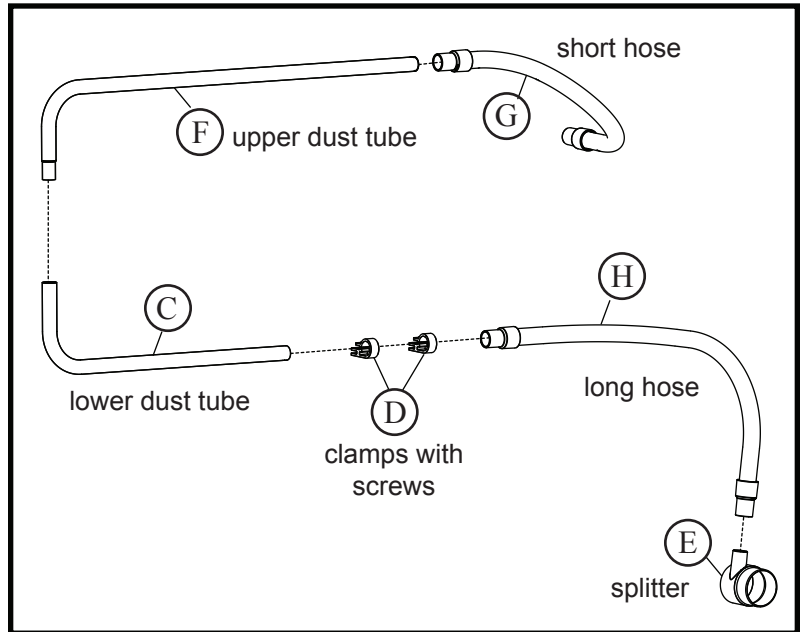
BEGIN HERE →



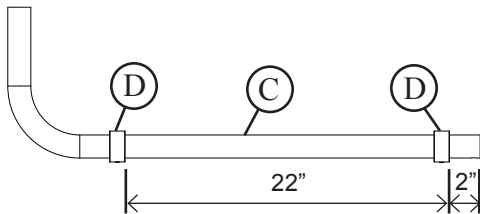
Tools:

3 mm hex key

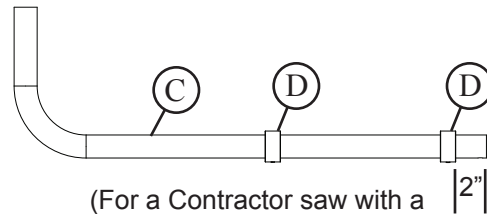
4 mm hex key



1. Slide clamps D onto tube C.



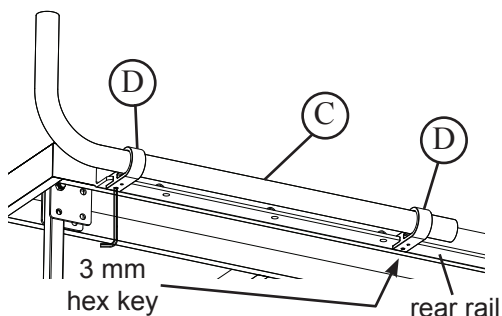
(For all saws *except* Contractor saws with Standard Fence Assemblies.)



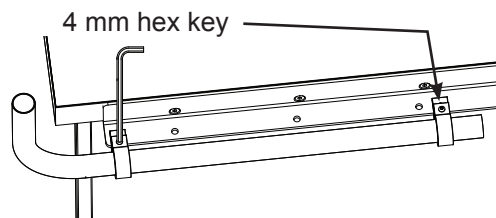
(For a Contractor saw with a Standard Fence Assembly.)

Continue on the back side →

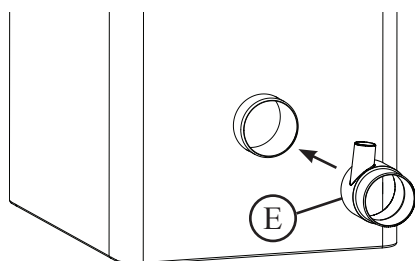
- 2.** Position clamps D on rear rail or brackets and tighten set screws.



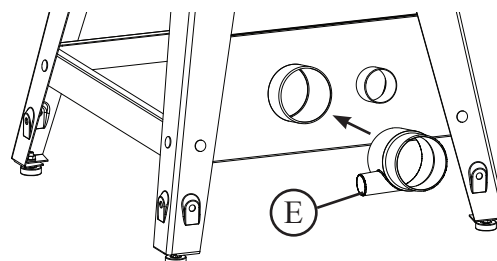
- 3.** Tighten the screws that clamp tube C.



- 4.** Slide splitter E onto the dust port at rear of saw oriented as shown below.

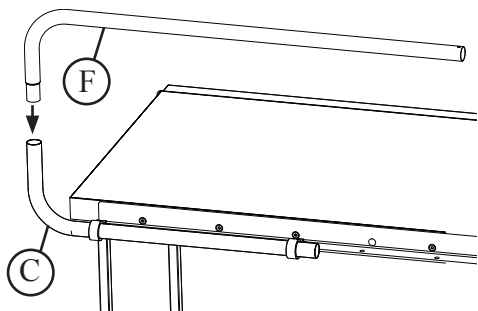


(for a cabinet saw)

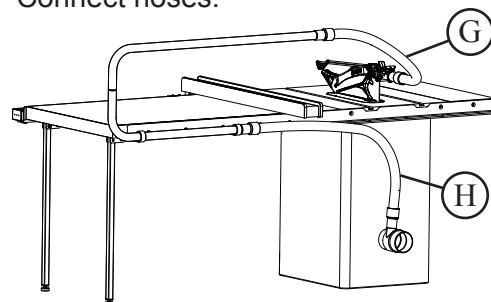


(for a contractor saw)

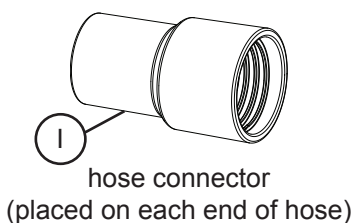
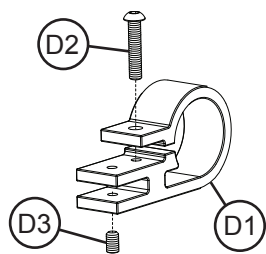
- 5.** Insert tube F into tube C.



- 6.** Connect hoses.



Contractor saw: make sure hose clears motor as the blade moves through its full range of elevation and tilt.



Item	Description	Part number	Qty
A	L-Bracket	TSA-ODC-001	2
B	M8x1.25x20 Hex Head Bolts	TSA-ODC-002	2
C	Lower Dust Tube	TSA-ODC-003	1
D1	Dust Tube Clamp	TSA-ODC-004	2
D2	M6x1x30 Button Head Screw	TSA-ODC-005	2
D3	M6x1x10 Set Screw	TSA-ODC-006	2
E	Dust Port Splitter	TSA-ODC-007	1
F	Upper Dust Tube	TSA-ODC-008	1
G	Short Dust Hose (without hose connectors)	TSA-ODC-009	1
H	Long Dust Hose (without hose connectors)	TSA-ODC-010	1
I	1.5" Hose Connector	TSA-ODC-011	4
-	SawStop Label (installed on upper metal tube)	TSA-ODC-012	1