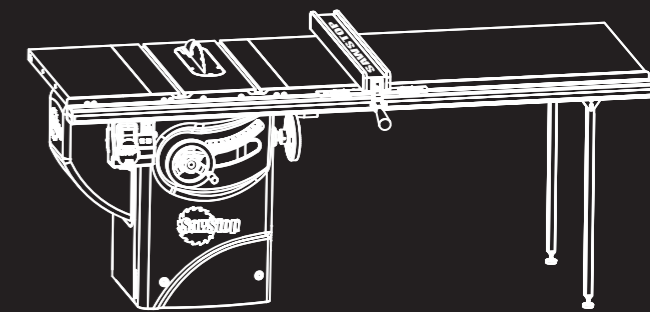




Installing Your T-Glide™ Fence System on Your Professional Cabinet Saw

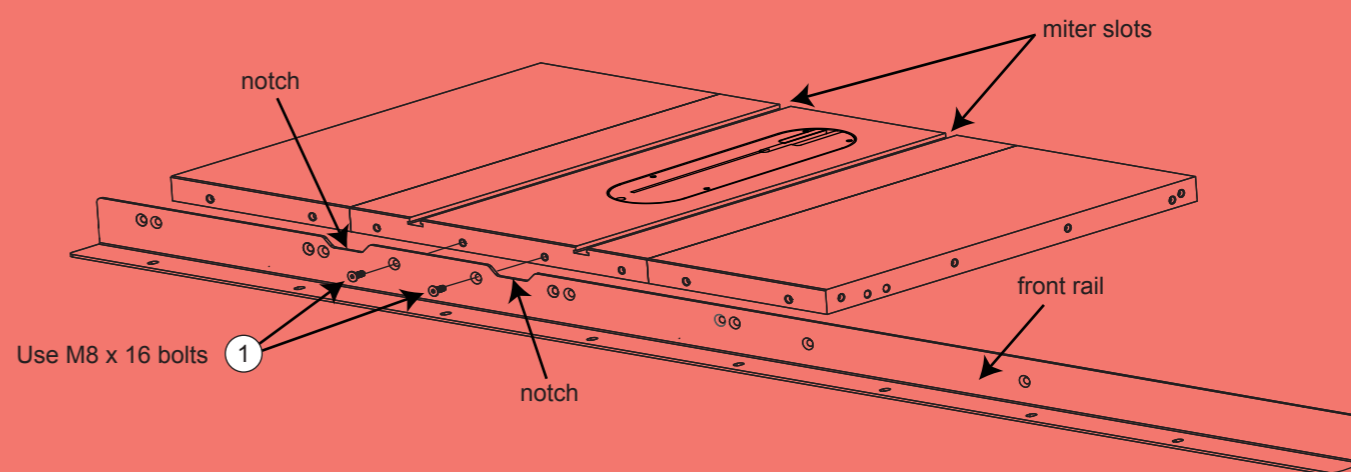
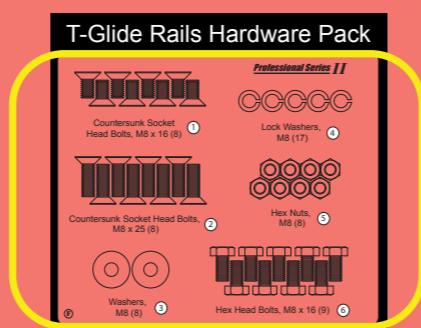


Before assembling your T-Glide fence system, make sure that you have all the necessary components identified on page 1 in the Owner's Manual, including the two hardware packs. Call the SawStop Service Department at 503-582-9934 if any components are missing. You will need the following tools to complete the fence installation:

1. a 13 mm wrench
2. two 17 mm wrenches (or adjustable wrenches)
3. a 5 mm hex key
4. a level or straight-edge

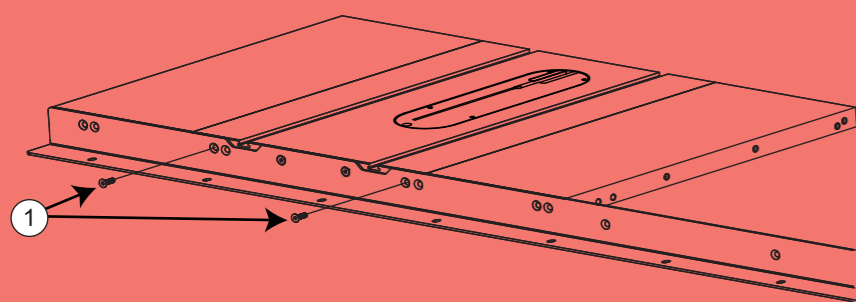
Note: The following drawings show how to assemble both the 52" and 36" fence systems. Although the components shown are for the 52" fence system, the components for the 36" system are similar.

• Begin mounting the front rail (the longer of the two rails) to the front edge of your saw by centering the notches in the rail with the two miter slots in the table, aligning the two holes in the rail between the notches with the two corresponding holes in the front edge of the table, and threading an M8 x 16 countersunk socket head bolt (1) into each of the two holes as shown below. Aligning the two holes between the notches aligns all the other holes used in mounting the rail to your saw. Not all the holes are used to mount the rail to your saw; different holes are used for different saws. Thread the bolts into the corresponding holes, and tighten them using a 5 mm hex key.



1

• Take two more M8 x 16 countersunk socket head bolts (1) and thread one into the hole to the right of the notches and the other into the hole to the left of the notches. Tighten the bolts with a 5 mm hex key.



2

• Take two M8 x 25 countersunk socket head bolts (2) and insert one bolt through the corresponding hole in the end of each extension wing (see Fig. 3a). Place an M8 washer (3), an M8 lock washer (4), and an M8 hex nut (5) on the threaded end of each of the bolts (see Fig. 3b). Hand tighten the nuts; do not fully tighten them.

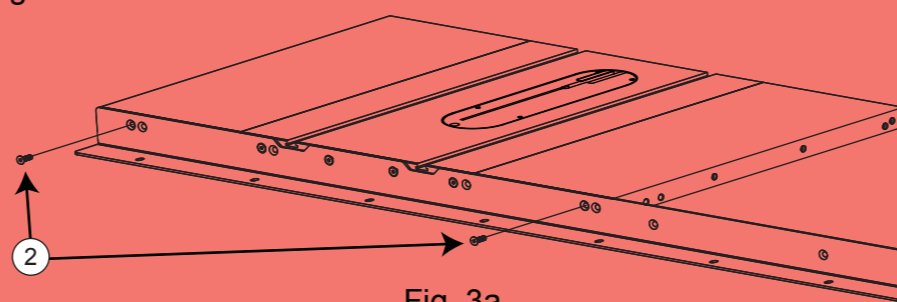


Fig. 3a

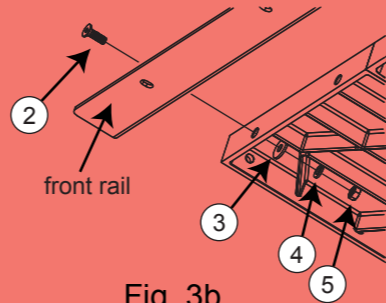
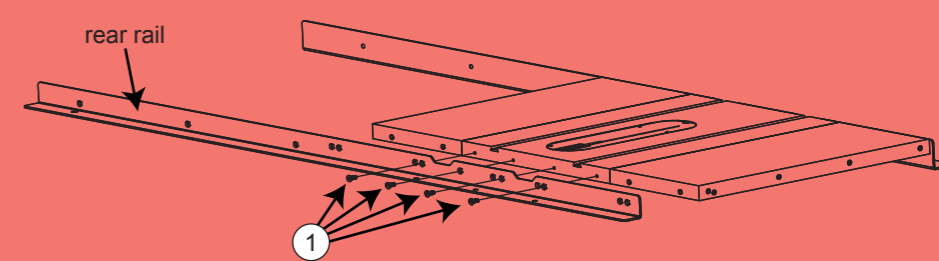


Fig. 3b

3

• Begin mounting the rear rail (the shorter of the two rails) to the rear edge of your saw by centering the notches in the rail with the two miter slots in the table and aligning the left-most hole between the notches with the corresponding hole in the rear edge of the table. There are three holes in the rail between the notches, one solitary hole and two holes paired together, and the left-most hole is the solitary hole. Not all the holes are used to mount the rail to your saw; different holes are used for different saws. Aligning the left-most hole aligns all the other holes used in mounting the rail to your saw. When the holes are aligned, mount the rail to the saw by threading an M8 x 16 countersunk socket head bolt (1) into each of the four open holes in the rear edge of the table and tightening the bolts using a 5 mm hex key.



4

• Finish mounting the rear rail to your saw by inserting an M8 x 25 countersunk socket head bolt (2) through the open hole at the end of each extension wing (see Fig. 5a) and placing an M8 washer (3), an M8 lock washer (4), and an M8 hex nut (5) on the threaded end of each bolt (see Fig. 5b). Hand tighten the nuts; do not fully tighten them.

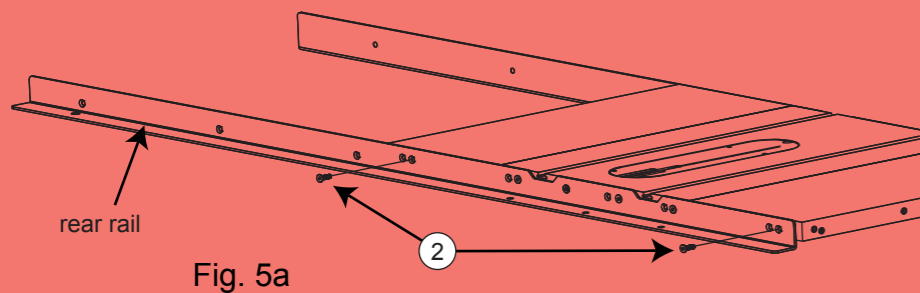


Fig. 5a

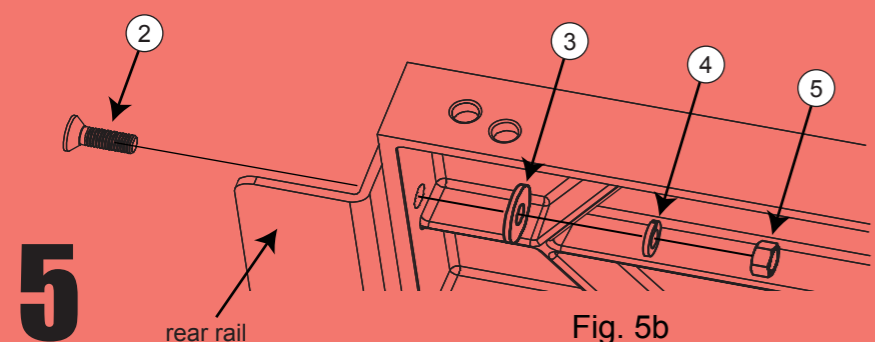
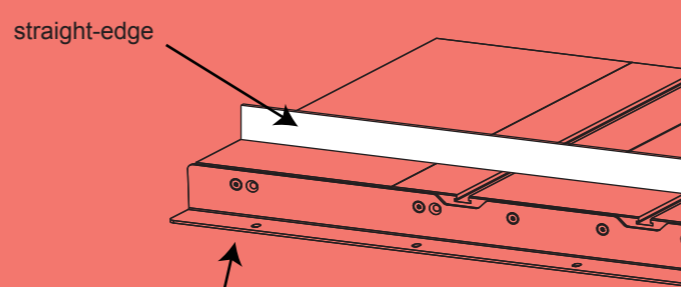


Fig. 5b

5

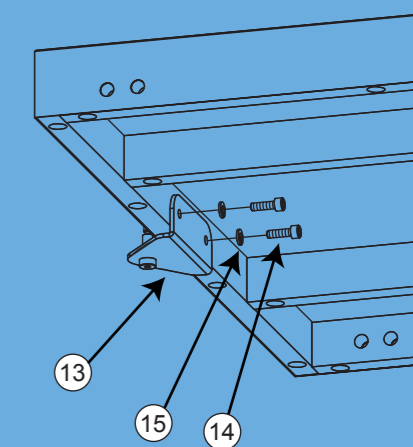
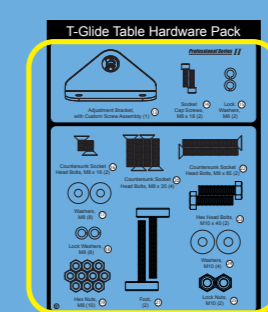
• Use a straight-edge to level the front edge of the left extension wing to the cast iron table top. You may have to pull up or push down on the outer edge of the extension wing to level it. Once the front edge of the left extension wing is level, use a 5 mm hex key and a 13 mm wrench to fully tighten the nut on the bolt that mounts the left extension wing to the front rail. Repeat this process to level the front edge of the right extension wing and the rear edges of the left and right extension wings.



level the extension wing and tighten the nut on the bolt that goes through the extension wing

6

• Once the rails are in place you can mount the extension table to the rails. The hardware needed to mount the extension table is in the T-Glide Table Hardware Pack. The first step is to install the adjustment bracket included in the T-Glide Table Hardware Pack. Remove the adjustment bracket (13), two M6 x 18 socket cap screws (14), and two M6 lock washers (15) from the T-Glide Table Hardware Pack, and place a lock washer on each screw. One end of the extension table includes two holes and the adjustment bracket has two corresponding holes. Position the adjustment bracket against the inside edge of the extension table, align the holes, and thread the screws into the holes. Tighten the screws with a 5 mm hex key.



7

• Locate the two leg support brackets. Remove the two M8 x 20 countersunk socket head bolts (16) from the T-Glide Table Hardware Pack along with two M8 washers (17), two M8 lock washers (18) and two M8 hex nuts (19). Mount one leg support bracket to the underside of each of the rails as shown in Fig. 8a. Hand tighten the nuts; do not fully tighten them.

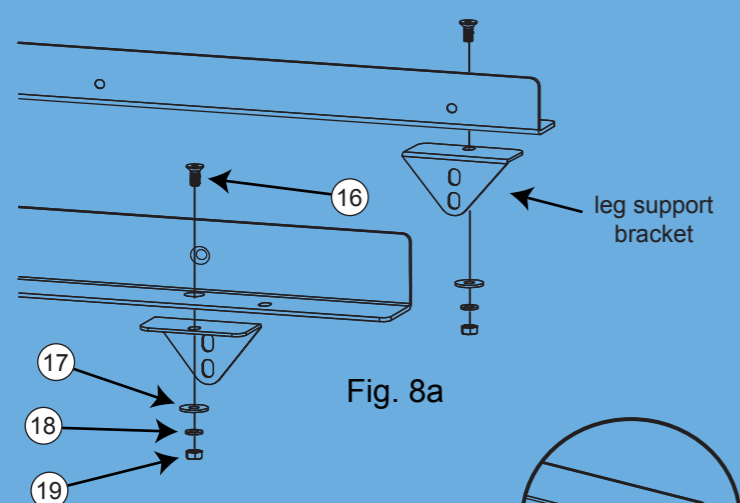


Fig. 8a

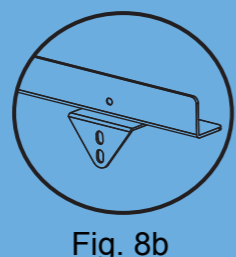
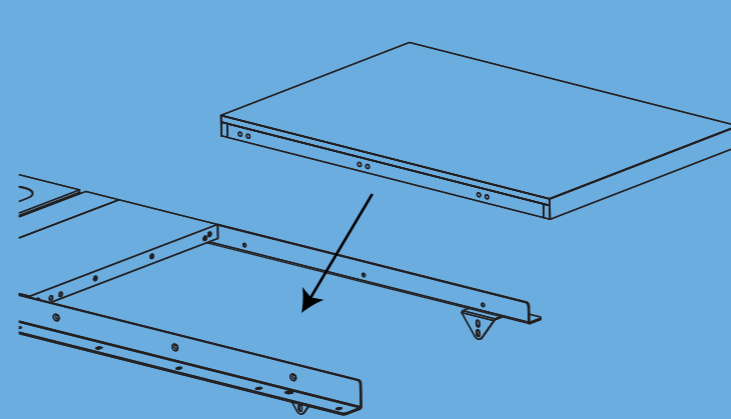


Fig. 8b

8

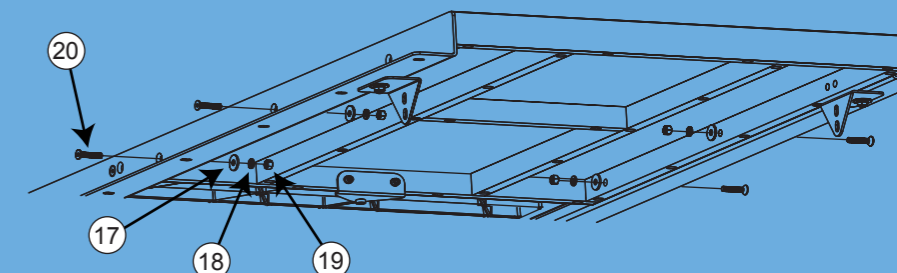
Once mounted, the brackets should create a shelf as shown in Fig. 8b.



• Place the extension table between the rails and slide it towards the extension wing. Be careful when positioning the extension table because it is not yet secured to the rails and could fall. You will need to tilt the extension table slightly for the adjustment bracket to fit under the extension wing. The adjustment bracket includes a screw that extends upward and the underside of the extension wing includes a hole to receive the screw. Fit the screw into the hole, and then turn the screw until the extension table is roughly flush with the extension wing. The opposite end of the extension table will rest upon the leg support brackets but will not be level because the leg support brackets are at different elevations and are not intended to support the extension table once it is fully installed.

9

• The extension table mounts to the rails with bolts that pass through holes in the rails and extension table. If you have an extension table for a 36" fence system, take two M8 x 35 countersunk socket head bolts (20) and insert one through the hole in the front rail closest to the saw and the other through the hole in the rear rail closest to the saw. If you have an extension table for a 52" fence system, take four M8 x 35 countersunk socket head bolts (20) and insert one bolt into each of the two holes in the front rail closest to the saw, and one bolt into each of the two holes in the rear rail closest to the saw.



10

Place an M8 washer (17), an M8 lock washer (18), and an M8 hex nut (19) on the threaded end of each bolt and hand tighten the nuts. Do not insert bolts through the outermost holes in the front and rear rails at this time.

SawStop Service
Department
503-582-9934

www.sawstop.com

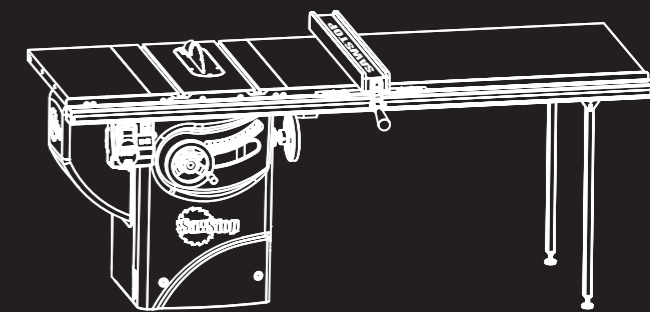
© SawStop, LLC

Flip to
Other Side

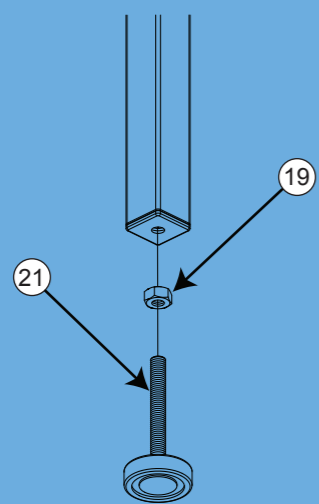




Installing Your T-Glide™ Fence System on Your Professional Cabinet Saw

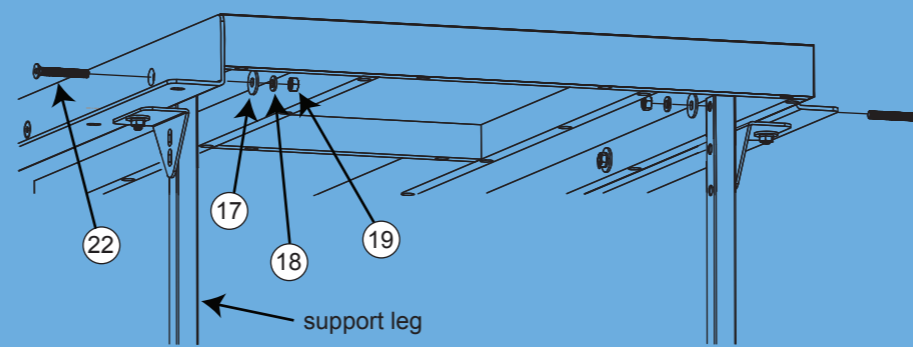


• Locate the two support legs and remove the two feet (21) from the T-Glide Table Hardware Pack along with two M8 hex nuts (19). Thread an M8 hex nut onto the threaded shaft of each foot so that the nut is close to the rubber base, and then thread the foot into the bottom of the support leg as far as possible.



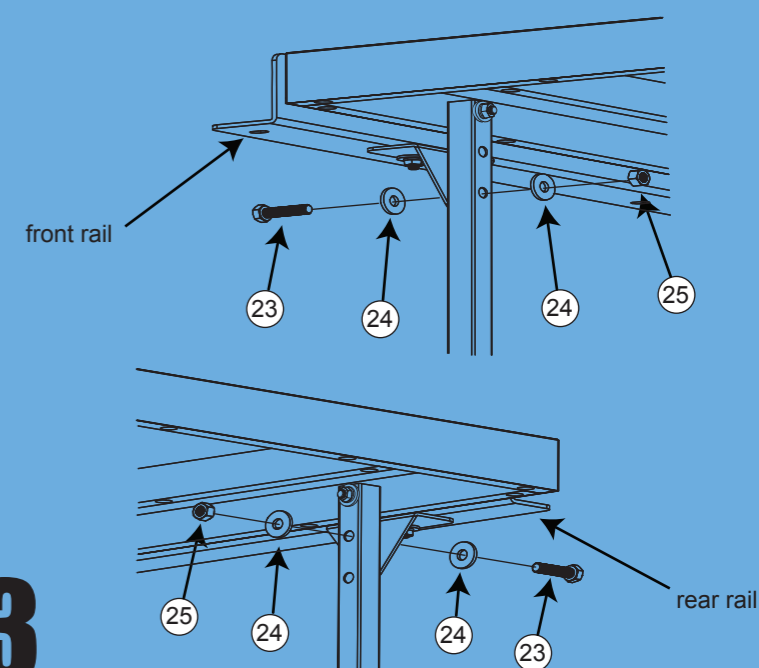
11

• The support legs attach to the outer ends of the rails and extension table with M8 x 65 countersunk socket head bolts (22). Align the top hole in one support leg with the outermost hole in the front rail, and the top hole in the second support leg with the outermost hole in the back rail. Make sure the legs are positioned against the inside of the extension table. Insert an M8 x 65 bolt (22) through the holes in the rails, extension table and legs. Place an M8 washer (17) and an M8 lock washer (18) on the threaded end of each bolt and then thread an M8 hex nut (19) onto each bolt. Hand tighten the nuts; do not fully tighten them.



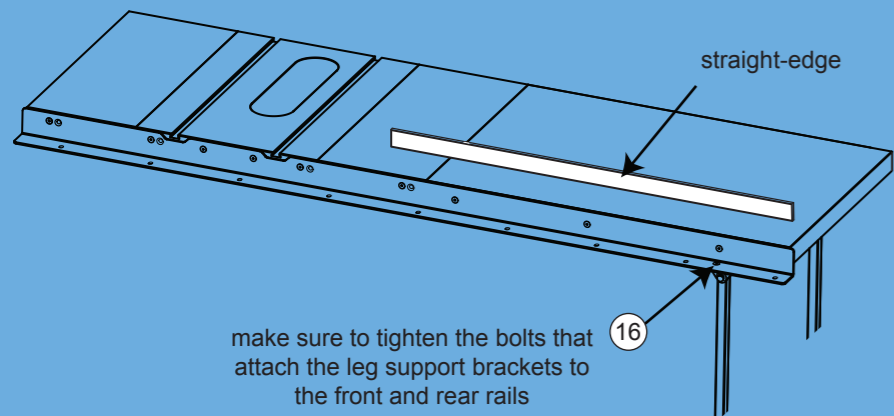
12

• Attach each support leg to the corresponding leg support bracket with an M10 x 40 hex head bolt (23), two M10 washers (24), and an M10 lock nut (25) and fully tighten the bolts using two 17 mm wrenches. Note that the leg support brackets align with different holes in the front and rear legs because the brackets are at different elevations.



13

• Use a straight-edge to level the front edge of the extension table to the saw table. You may have to pull up or push down on the extension table to level it. Once the front edge of the extension table is level, use a 5 mm hex key and a 13 mm wrench to fully tighten the nuts on the bolts along the front rail. Repeat the process to level the rear edge of the extension table. Also fully tighten the bolts that attach the leg support brackets to the front and rear rails (bolts (16) in step 8).



14

• Place the straight-edge lengthwise across the middle of the table (see Fig. 15a) and level the middle of the extension table by turning the screw in the adjustment bracket with a 5 mm hex key (see Fig. 15b).

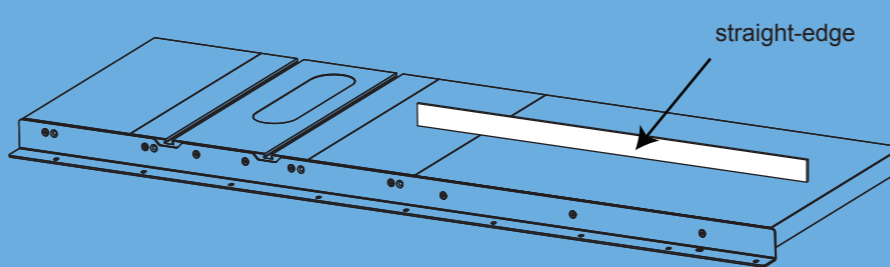


Fig. 15a

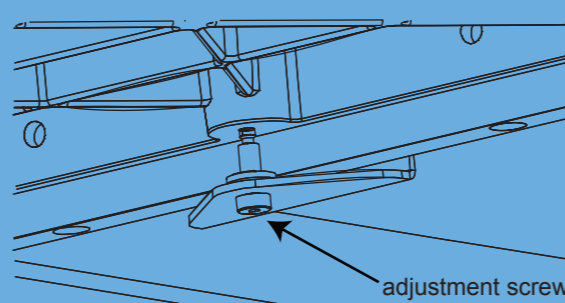
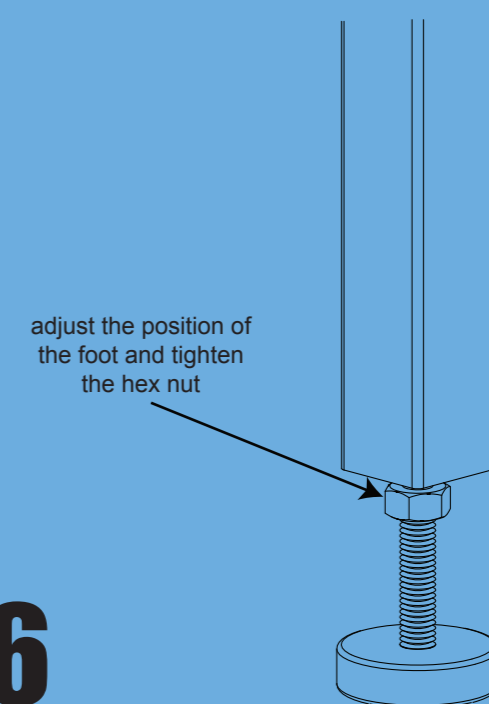


Fig. 15b

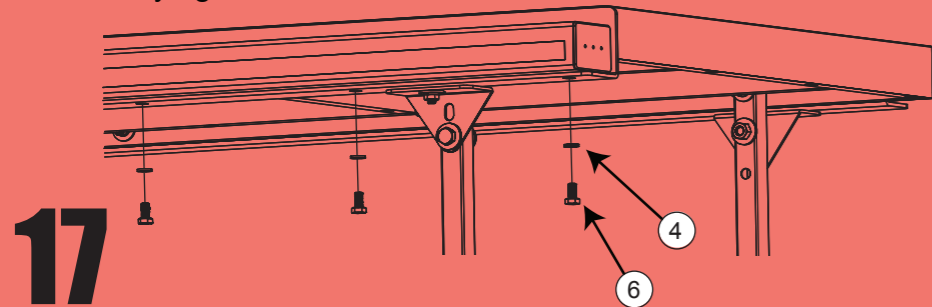
15

• Turn the foot on the bottom of each support leg to adjust its position until it is in solid contact with the ground. Once the foot is in contact with the ground, fully tighten the hex nut against the bottom of the leg using a 13 mm wrench.



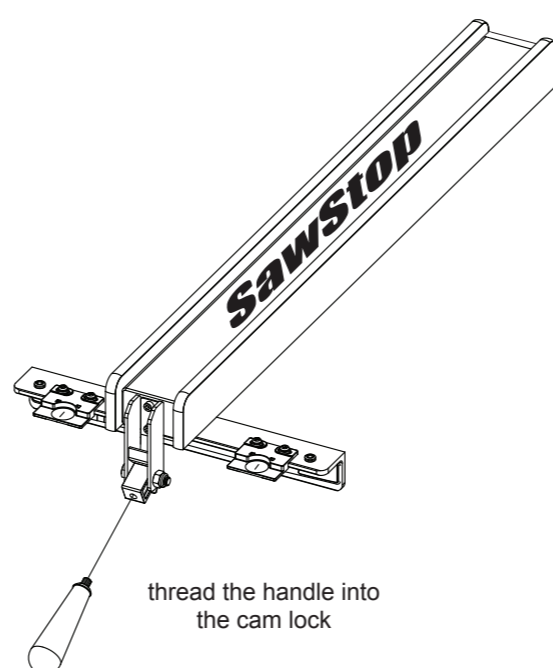
16

• Locate the front tube and the T-Glide Rails Hardware Pack. If you have a 36" fence system, remove seven M8 x 16 hex head bolts (6) and seven M8 lock washers (4) from the T-Glide Rails Hardware Pack. If you have a 52" fence system, remove nine M8 x 16 hex head bolts (6) and nine M8 lock washers (4) from the T-Glide Rails Hardware Pack. Position the tube on the front rail with the rulers facing up and the 12-inch ruler on the left. The powder coated surfaces of the tube and rail can be slick, so be careful that the tube does not fall off the rail. Align the holes in the rail with the holes in the bottom of the tube. Place an M8 lock washer on each M8 x 16 hex head bolt and insert the bolts through the rail and into the threaded holes in the bottom of the tube. Hand tighten the bolts; do not fully tighten them.

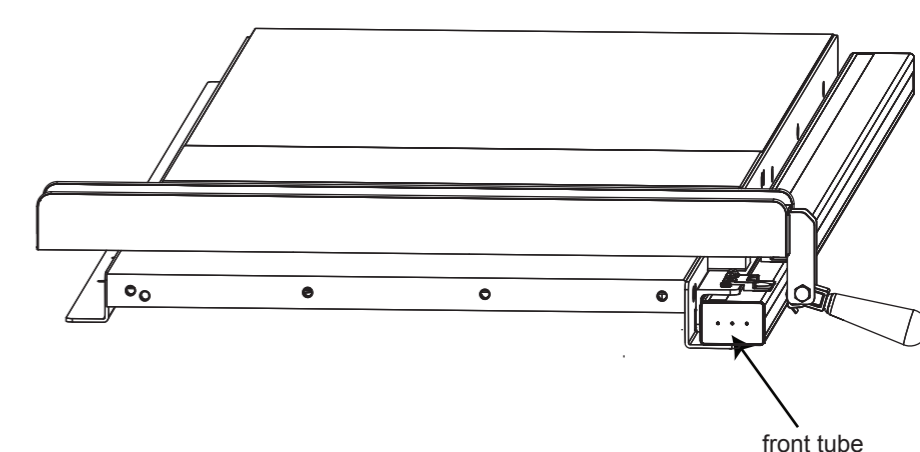


17

• Locate the fence and the red fence handle. Thread the handle into the cam lock on the front of the fence.

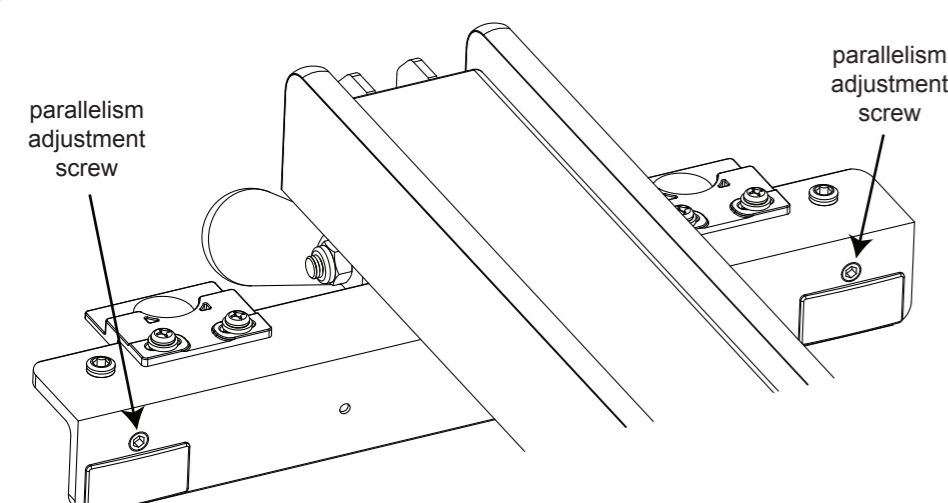


18



• The holes in the bottom of the front rail are oversized to allow you to adjust the position of the tube on the rail. To set the tube in the correct position, first pull the front tube away from the table as far as possible. Next, place your fence down on the tube near the left end.

19

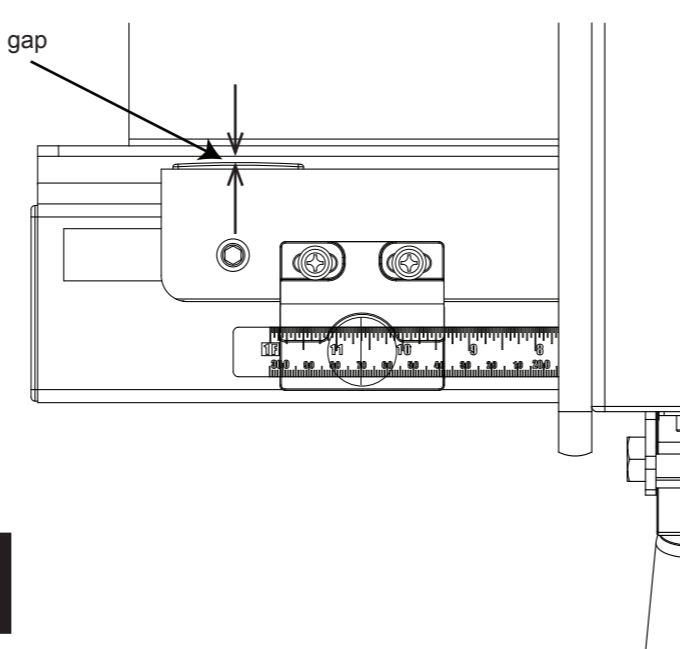


• Press down on the fence handle to clamp the fence to the front tube. If the fence does not clamp tightly enough to hold its position against a moderate amount of force, you can increase the clamping pressure by turning both parallelism adjustment screws clockwise using a 5 mm hex key. Those screws are located in the vertical edge of the fence cross-bracket.

Alternatively, if too much force is required to push the fence handle down to clamp the fence to the front tube, you can reduce the clamping pressure by turning both parallelism adjustment screws counter-clockwise.

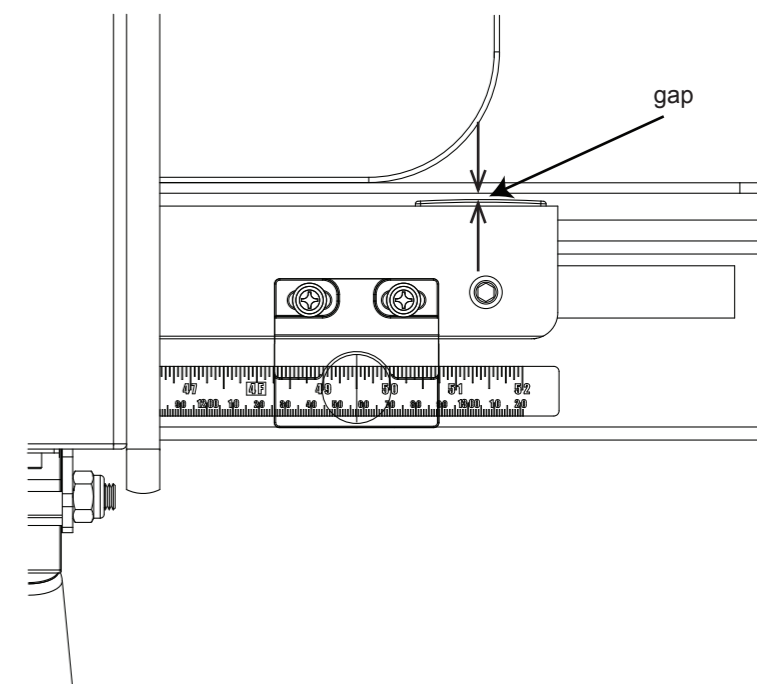
20

• Once the fence is tightly clamped to the front tube, move the left end of the tube back toward the saw until there is only a small gap (approximately 1/16 inch) between the front rail and the rear of the fence. Tighten the left-most M8 x 16 hex head bolt that holds the tube to the front rail using a 13 mm wrench.



21

• Next, move the fence to the right end of the tube, repeat the above process to position the tube, and tighten the right-most screw. Once both ends of the tube are adjusted correctly, tighten the remaining M8 x 16 hex head bolts to mount the front tube to the front rail. The fence should now slide smoothly along the front tube without binding and without excessive play.



22

SawStop Service
Department
503-582-9934

Congratulations, your fence system is now installed and ready to use.

www.sawstop.com

© SawStop, LLC

Please refer to your T-Glide Fence System - Professional Series II Owner's Manual for information on how to correctly use and adjust your fence system.