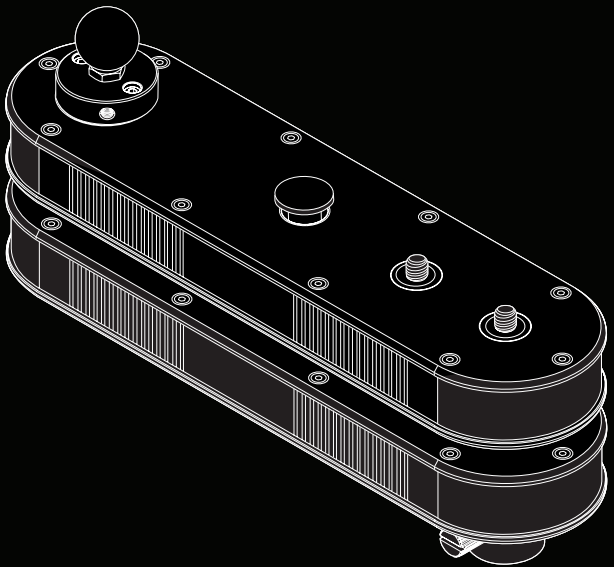




AXLER™



**FCS-1428**

FOLDABLE  
CRANE SLIDER

QUICK-START  
GUIDE

## PRECAUTIONS

- Please read and follow these instructions, and keep this manual in a safe place.
- Keep this product away from children.
- Make sure everything is secure before proceeding.
- Make sure that this product is intact and that there are no missing parts.
- To avoid damage to this product, be careful not to overtighten or improperly thread any of the threaded fittings.
- Do not exceed the maximum load capacity.
- Be careful not to catch your fingers in any of the moving parts.
- All images are for illustrative purposes only.

## SPECIFICATIONS

Tracking distance	27.75" (70.5 cm)
Max. load capacity	4.4 lb. (2 kg)
Material	Aluminum alloy
Dimensions (H × W × D)	4.5" × 2.5" × 9.4" (11.5 × 6.3 × 24 cm)
Weight	2.45 lb. (1.1 kg)

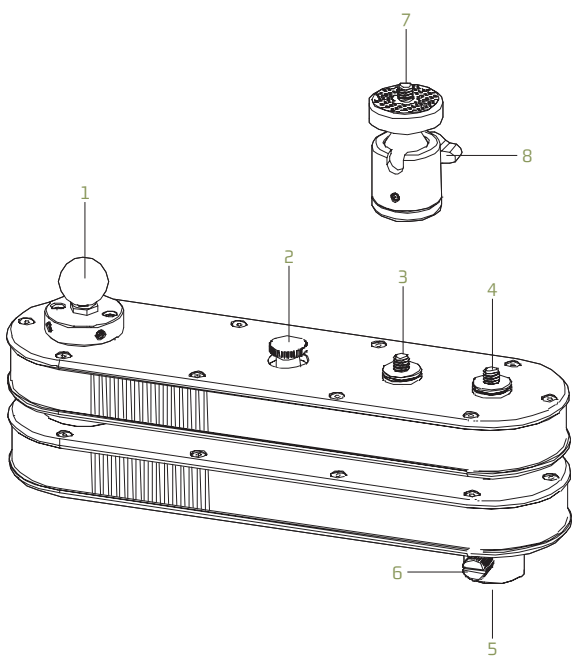
## OVERVIEW

### Slider:

1. Slide handle
2. Slider lock: To unlock, pull up and twist 90°.
3. 1/4"-20 Parabolic camera mount
4. 1/4"-20 Linear camera mount
5. 3/8"-16 tripod mount
6. Tripod locking knob

### Ball Head:

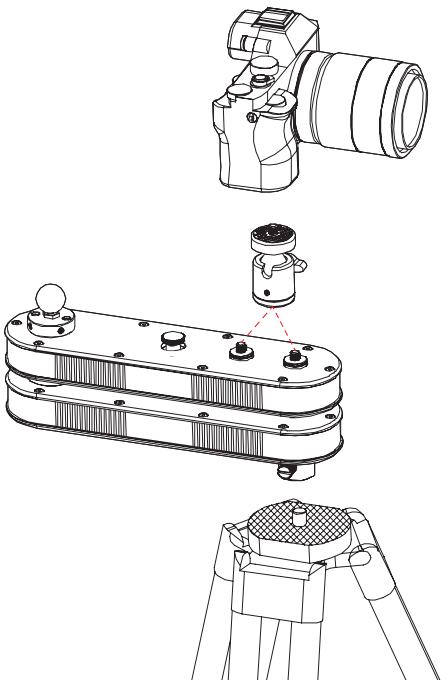
7. 1/4"-20 ball-head adapter
8. Ball-head locking knob



## MOUNTING THE SLIDER AND CAMERA

**Important! Make sure your tripod base is as wide as the extended width of the Crane Slider.**

1. Before you begin, check that the slider lock is in the locked position.
2. Align and seat the 3/8"-16 tripod mount onto your tripod. Rotate clockwise until secure.
3. Tighten the tripod locking knob by rotating it clockwise.
4. Lock down the included ball head by tightening its locking knob.
5. Align the 1/4"-20 ball-head adapter with either of the two camera mounts. Rotate the ball-head adapter clockwise until secure.
6. Align and seat your camera's tripod mount onto the ball-head adapter. Rotate your camera clockwise until secure.



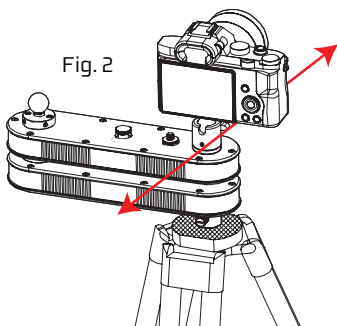
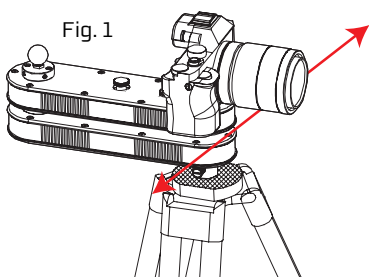
## SLIDER MOTION

There are two types of motion the crane slider can achieve for smooth and creative shots—linear and parabolic.

Before engaging the slider, pull the slider lock and twist 90°. Push or pull the slide handle to move the slider arms.

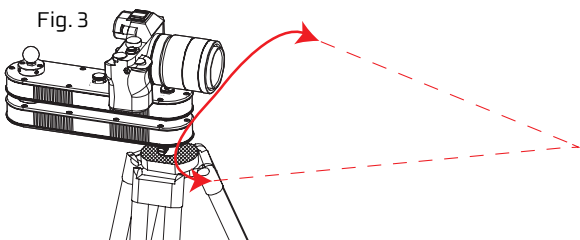
### Linear

This moves your camera in a straight line to capture side-to-side (Fig. 1) or front-to-back shots (Fig. 2).



### Parabolic Panning

This mode rotates your camera so it pans on a parabolic curve (Fig. 3).





**AXLER™**

## ONE-YEAR LIMITED WARRANTY

This Axler product is warranted to the original purchaser to be free from defects in materials and workmanship under normal consumer use for a period of one (1) year from the original purchase date or thirty (30) days after replacement, whichever occurs later. The warranty provider's responsibility with respect to this limited warranty shall be limited solely to repair or replacement, at the provider's discretion, of any product that fails during normal use of this product in its intended manner and in its intended environment. Inoperability of the product or part(s) shall be determined by the warranty provider. If the product has been discontinued, the warranty provider reserves the right to replace it with a model of equivalent quality and function.

This warranty does not cover damage or defect caused by misuse, neglect, accident, alteration, abuse, improper installation or maintenance. EXCEPT AS PROVIDED HEREIN, THE WARRANTY PROVIDER MAKES NEITHER ANY EXPRESS WARRANTIES NOR ANY IMPLIED WARRANTIES, INCLUDING BUT NOT LIMITED TO ANY IMPLIED WARRANTY OF MERCHANTABILITY OR FITNESS FOR A PARTICULAR PURPOSE. This warranty provides you with specific legal rights, and you may also have additional rights that vary from state to state.

To obtain warranty coverage, contact the Axler Customer Service Department to obtain a return merchandise authorization ("RMA") number, and return the defective product to Axler along with the RMA number and proof of purchase. Shipment of the defective product is at the purchaser's own risk and expense.

For more information or to arrange service, visit [www.axlersupports.com](http://www.axlersupports.com) or call Customer Service at 212-594-2353.

Product warranty is provided by the Gradus Group.  
[www.gradusgroup.com](http://www.gradusgroup.com)

Axler is a registered trademark  
of the Gradus Group.

© 2016 Gradus Group LLC. All Rights Reserved.



[www.AxlerSupports.com](http://www.AxlerSupports.com)