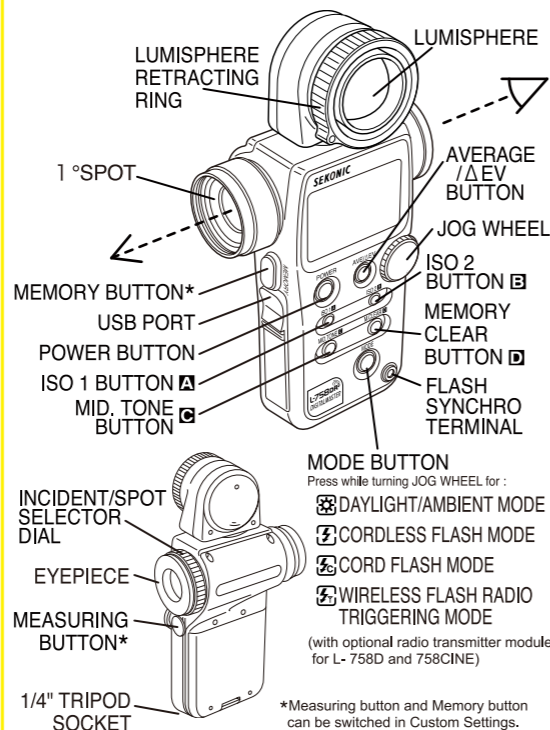




SEKONIC

L-758D/L-758DR L-758CINE

Quick Guide



On/Off
Press down POWER BUTTON to turn on meter. Battery icon will appear with 3 status of icon. Press and hold POWER button to turn off.

Set ISO 1 or ISO 2
Hold down ISO 1 or ISO 2 while turning the JOG WHEEL.

1°Spot Reflected Mode
Turn INCIDENT/SPOT SELECTOR DIAL to [Spot] to select Spot. Press MEASURING BUTTON.

Incident Mode
Turn INCIDENT/SPOT SELECTOR DIAL to [Incident] to select Spot. Press MEASURING BUTTON.

Lumidisc
Lumisphere in down position words as Lumidisc which is useful for measuring of illuminance or lighting ratio.

Ambient Light
Select Ambient Mode by holding down the MODE BUTTON and turning JOG WHEEL. Press the MEASURING BUTTON.

EV Readout - Option No. 5 in Custom Settings Chart
Select Item 1 (EV) in the CS settings to turn on EV mode. Select Ambient mode. Hold down MODE BUTTON while turning JOG WHEEL until EV mark appear. Press MEASURING BUTTON.

Cord Flash Mode
Select Cord Flash Mode. Connect flash synchro cord to FLASH SYNCHRO TERMINAL and press MEASURING BUTTON.

Cordless Flash Mode
Select Cordless Flash Mode. Press MEASURING BUTTON and mode mark will blink for 90 seconds. During this time, trigger the flash manually and light meter measure and display the reading.

Multi Flash Mode - Option No.6 in Custom Settings Chart
Hold down MODE BUTTON and turn JOG WHEEL to select Cord, Cordless or Radio Triggering Mode with MLT shown on display. Trigger flash repeatedly until target f/stop is achieved.

Wireless Flash Radio Triggering Mode
(With optional radio transmitter module for L-758D and L-758CINE)
Select Wireless Flash Radio Triggering Setting Mode. A blinking channel number will appear. To select Quad-triggering sub-channels [A], [B], [C], [D], simply press the direct function buttons: ISO 1 [A], ISO 2 [B], MID.TONE [C], M.CLEAR [D] on the control panel. Pressing the MEASURING BUTTON once returns the screen to the main menu. Pressing the MEASURING BUTTON again simultaneously fires flash and measures light.

Flash Analyzing Function
In all flash modes: Take a flash measurement. A combined reading of both ambient flash will be displayed, and the percentage of flash in total exposure will appear in the right side of corner on LCD. Each aperture value of combined, ambient and flash are also displayed on the analog scale. Turn the JOG WHEEL to adjust ratio between ambient and flash. Adjust aperture and shutter as required on camera.

Memory Function
Take a measurement, press MEMORY BUTTON. Up to nine readings can be stored and displayed on the analog scale by repeating this procedure. A tenth measurement can also be displayed, but not stored. You can memorize the value in incident light and reflected light simultaneously.

Memory Clear
When pressing MEMORY CLEAR button once, the last memorized value is cleared. If you want to clear all memorized values, please hold down MODE button and press MEMORY CLEAR button.

Memory Recall
To enter Memory recall mode, hold down MODE button and press MEMORY button, and the "M" and number will blink. Rotate JOG WHEEL to recall memorized value. To exit Memory recall mode, hold down MODE button and press MEMORY button again, and "M" and number will stop blinking.

Mid.Tone Setting
Take a measurement which you desire to set "Middle Tone". Press MID.TONE button to set the measured value in the center of EV scale.

Advanced Function

Advanced Function

LCD

Custom Setting

Custom Setting

Mid.Tone Recall
Once hold MODE button and press MID.TONE button to enter Mid.Tone recall mode. "M 0" is blinking and Mid.Tone value is displayed. To exit Mid.Tone recall mode, hold MODE button and press MID.TONE button again. If you want to change Mid.Tone, enter Mid.Tone recall mode and rotate JOG WHEEL while pressing MID.TONE button to adjust Mid.Tone.

Selecting Aperture scale or EV scale
You can select aperture scale or EV scale by holding MODE button and pressing AVE./EV button.

Selecting Camera
You can select from Camera1 to Camera 3 by holding down ISO1 button and pressing MID.TONE button.

Averaging Function
After two or more measurements are memorized, toggle AVE/ΔEV button. Averaged exposure will be displayed in digital and analog readouts. Operates in all measuring modes.

Contrast Function
Can be used in all modes (incident, reflected, ambient and flash). Take measurement(s), press the AVE/ΔEV button and A will appear to store the current reading (or averaged value) as a standard value. Press and hold down the MEASURING button. Difference between the standard value and new measured value is displayed in +/- 1/10th steps with ΔEV mark.

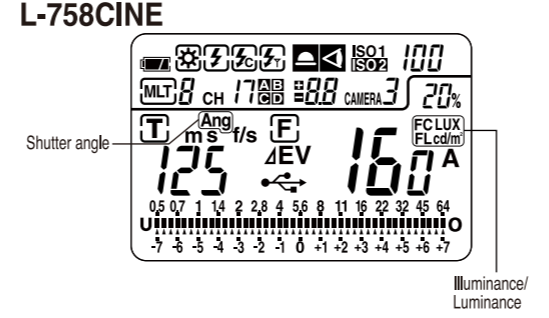
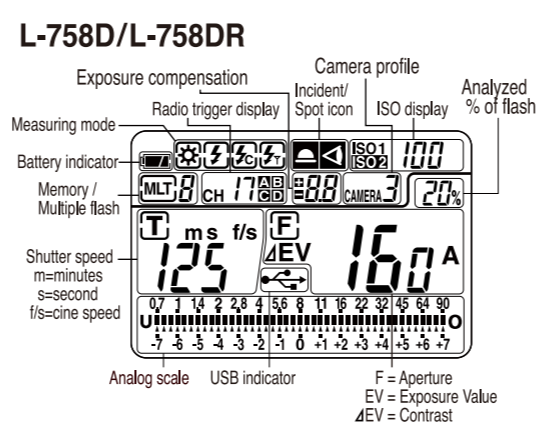
Exposure Compensation
Hold down both ISO 1 and ISO 2 simultaneously and turn the JOG WHEEL to exposure compensation ("Adj") appear on the LCD) needed between +/-9.9EV in 1/10 step increments.

Calibration Compensation
Meter must turned off. Tap POWER button once while holding ISO 1 and ISO 2. "CAL" will be displayed on the LCD. Turn the JOG WHEEL while holding down both ISO buttons to compensate between +/-1.0EV in 1/10th step increments.

JOG WHEEL Lock and Unlock
Hold MODE button in, and toggle ISO 1 button to lock. "Loc" will display briefly. To unlock, Hold MODE button and toggle ISO1 button again and "OFF" will display.

Motion Picture (CINE only)
Turn JOG WHEEL (in T priority mode) past shutter speeds 1/8000, 1/200, 1/400 to select f/s (frame per second). Press MEASURING button.

Shutter Angle (CINE only)
Shutter angle can be set by turning the JOG WHEEL while pressing MODE button and ISO2 button.



To set Custom Settings:
1. Turn power off. Press down Mode key while turning on meter. "CS" (Custom Settings) will appear in upper right hand corner.
2. Use the JOG WHEEL to select Custom Setting number (No.) -see chart below.
3. Press Mode Key to Select Item Number (Item #) -see chart below.
4. Turn meter off and then back on to activate functions.

*** Pressing M.CLEAR button in CS mode will reset all settings to default (No.0)

No.	Model	Custom setting name	Item number			
			0	1	2	3
1	758	ISO 2	Film sensitivity in 1/3step	Filter compensation(1) in 1/10step (+/-5EV)	—	—
	CINE		Film sensitivity in 1/3step	Filter compensation(1) in 1/10step (+/-5EV)	Filter compensation(2)	—
2	758&CINE	Exposure compensation	Always Displayed	Not display	—	—
3*	758&CINE	Increments of Shutter	Full step	1/3step	1/2step	—
4	758&CINE	Exposure Priority settings	T+F	T only	F only	—
5	758&CINE	EV mode	Not available	Available	—	—
6	758&CINE	Multiple flash mode	Not available	Available	—	—
7	758&CINE	Latitude scale display	Five dots	Within range	Outside range	No display
8	758&CINE	Standard value if Mid. Tone memory is not set	First memorized value	Current Measured value	Last Measured value	—
9	758&CINE	Average	Weighted mean average	Simple Average	—	—
10	758&CINE	Auto save on Power off	Available	Not available	—	—
11	758&CINE	Auto power off time	20 min.	10 min.	5 min.	Not available
12	758&CINE	Jog Wheel Function (clockwise direction)	Decreases value (T or F)	Increases value (T or F)	—	—
13	758&CINE	Compensation +/- definition	Additive Compensation	Subtractive Compensation	—	—
14**	CINE	Illminance or Luminance display	Combined+Individual	Combined	Individual	—
15	CINE	Illuminance measurement (incident)	LUX,FC	LUX	FC	—
16	CINE	Luminance measurement (reflected)	cd/m ² ,FL	cd/m ²	FL	—
17	758&CINE	Switching Measuring / Memory Buttons	Standard	Reverse	Auto-Switching	—

* 1/10 step fractions are displayed in full, 1/2 and 1/3 step increments
** Individual: LUX, FC, cd/m2 or FL Combined: LUX+T+F, FC+T+F, cd/m2+T+F or FL+T+F